

THE VADLE™ CURB BOX LOCK

MOST CURB STOPS AND CURB BOXES INSTALLATION INSTRUCTION:

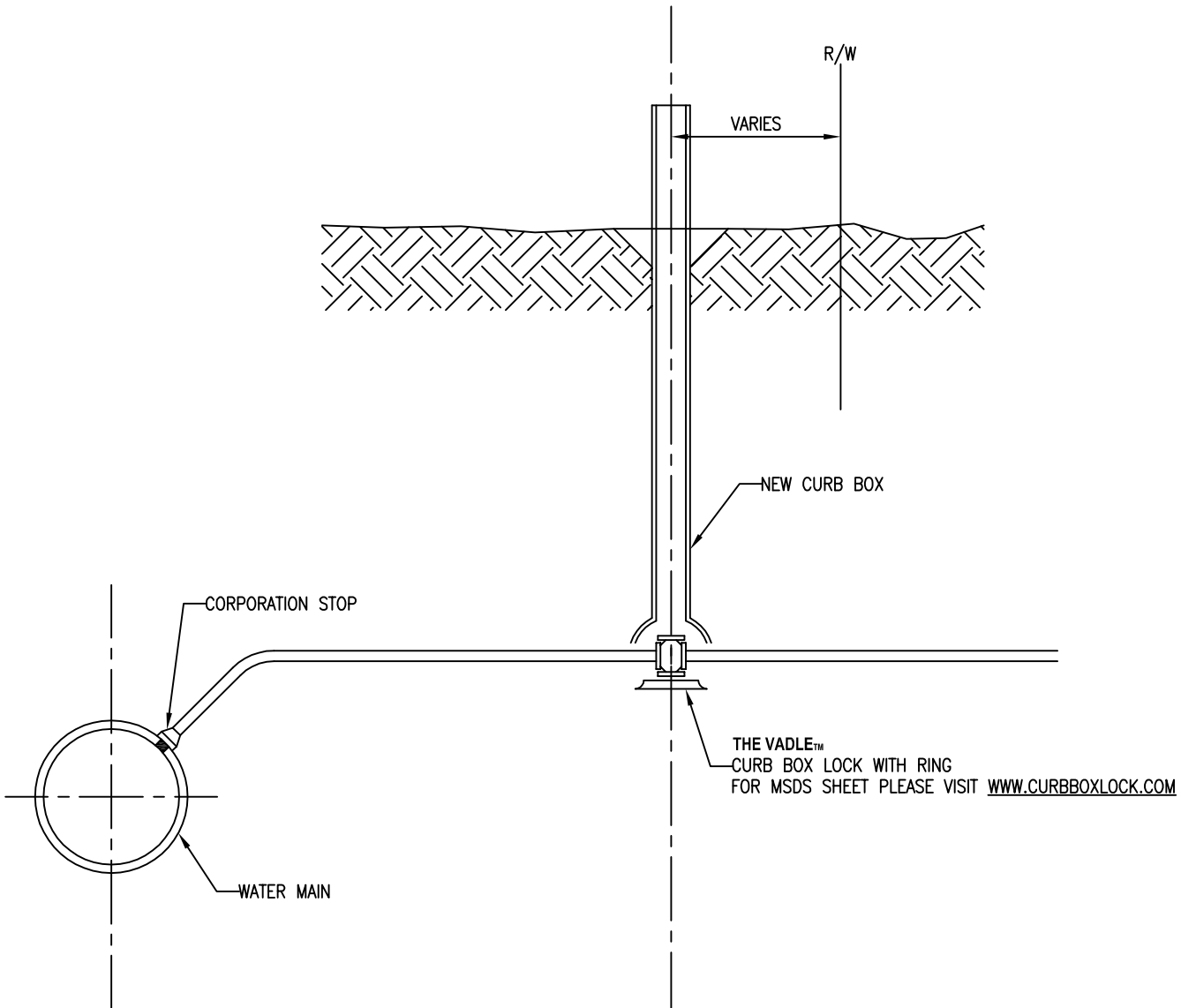
- 1) WHEN INSTALLING MOST CURB STOPS SIMPLY PLACE THE VADLE™ ON A PROPERLY PREPARED SUB BASE UNDER THE CURB STOP.
- 2) IF THE ANTI-TWIST RING FITS OVER THE KEY OF THE CURB STOP, THEN PUSH THE RING INTO THE VADLE™ UNTIL IT LOCKS INTO PLACE (WITH THE 3/4" MUELLER MARK II ORISEAL MAKE SURE THE TAB ON THE SIDE OF THE KEY IS ON THE SIDE OF THE CENTERING RING WITH THE CUT-OUT IN IT AND PRESS DOWN UNTIL THE RING IS RESTING ON THE CURB STOP. THE RING WILL LOCK ONTO THE CURB STOP.)
- 3) SOME CURB STOPS HAVE A CONE SHAPED DESIGN, PLACE THE LARGER END OF THE VALVE BODY IN THE LARGER SIDE OF THE VADLE™.
- 4) PLACE THE CURB BOX OVER THE VADLE™.
- 5) FINALLY BACK FILL ON ALL SIDES IN EQUAL LIFTS.

ALL CURB BOXES WITH THE VADLE™ PLACED UPSIDE DOWN:

- 1) WHEN INSTALLING A 1" FORD INVERTED KEY OR A 1" MCDONALD INVERTED PLUG CURB STOP, SIMPLY TURN THE VADLE™ UPSIDE DOWN AND PUSH INTO THE GROUND SECURELY UNDER THE CURB STOP.
- 2) THEN SET THE VALVE ON THE VADLE™ AND PUT THE CURB BOX OVER THE VALVE.
- 3) THESE TWO CURB STOPS FIT SECURELY IN THE CURB BOX. THE VADLE™ SERVES AS A STABLE BASE AND FOUNDATION IN THIS APPLICATION.

SOFT OR UNSTABLE GROUND:

- 1) WHEN INSTALLING IN CONDITIONS WITH SOFT OR UNSTABLE GROUND, THE VADLE™ CAN BE SECURED TO A LARGER BASE SUCH AS A BRICK OR A STEPPING STONE.
- 2) SIMPLY SCREW THE VADLE™ DOWN ONTO A LARGER BASE WITH ANY FORM OF ANCHORING SCREWS TO CREATE A SOLID SECURE FOUNDATION.



DWG: _____
 CHK'D: _____
 DATE: 11/10/2011
 REV: _____
 REV DATE: _____
 SCALE: NTS

STANDARD DETAIL
THE VADLE™
 CURB BOX LOCK WITH RING
WWW.CURBBOXLOCK.COM

1

1